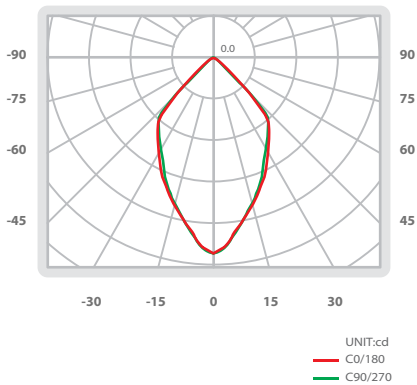




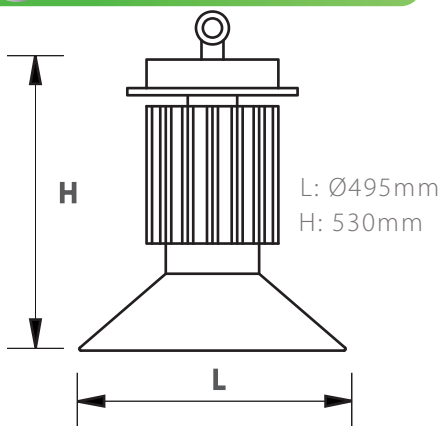
CHB1C0 Chain Series



Light Patterns



Dimensions



Specifications

Model	CHB1C0		
Wattage	300 W		
Input Voltage	AC 100~277V, 50/60Hz		
CCT	5700K	3000K	
Field Angle	90°		
Flux	26000 lm	20000 lm	
Luminous Intensity	Lux@4M	850	650
	Lux@8M	210	160
	Lux@12M	92	72
	Lux@15M	60	46
CRI	70	80	
Weight	12700 g ± 10%		
Lifetime	30,000 hours		
Warranty	1-Year		