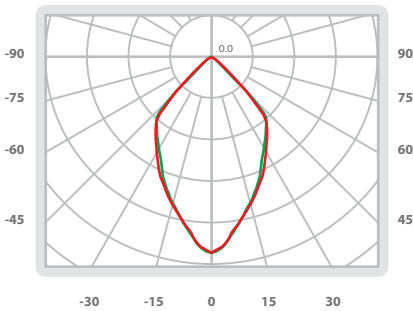




CHB1B0
Chain Series



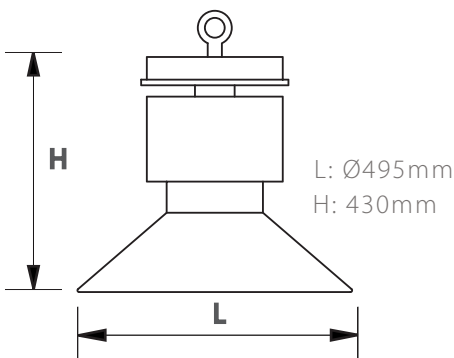
Light Patterns



UNIT:cd
— C0/180
— C90/270



Dimensions



Specifications

Model	CHB1B0		
Wattage	200 W		
Input Voltage	AC 100~277V, 50/60Hz		
CCT	5700K	3000K	
Field Angle	90°		
Flux	19000 lm	15000 lm	
Luminous Intensity	Lux@4M	660	520
	Lux@8M	165	130
	Lux@12M	75	58
	Lux@15M	50	37
CRI	70	80	
Weight	7500 g ± 10%		
Lifetime	30,000 hours		
Warranty	1-Year		